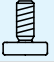
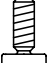


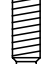
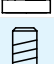


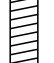








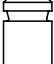

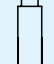
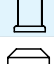
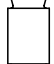




# Stem Dimensions


## Threaded Stems

| Drawing   | Caster Series   | Stem Size                    |
|---|---|------------------------------|
|    | L4 (Stem 1)   | 5/16" dia. – 18 x 3/4" long  |
|    | L4 (Stem 2)   | 3/8" dia. – 16 x 1" long     |
|    | L4 (Stem 3)<br>13 (Stem 1)<br>W13 (Stem 1)  | 3/8" dia. – 16 x 1-1/2" long |
|    | Bus. Mach. Single Wheel<br>13 (Stem 4)<br>W13 (Stem 4)  | 1/2" – 13 x 1-1/2" long      |
|    | 13 (Stem 2)<br>W13 (Stem 2)   | 7/16 dia. – 14 x 1-1/2" long |
|    | 13 (Stem 5)<br>W13 (Stem 5)   | 1/2" dia. – 13 x 2-3/4" long |
|    | 36 (Stem 1)<br>56MG (Stem 1)<br>56HN (Stem 1)<br>136 (Stem 1)   | 1/2" dia. – 13 x 3/4" long   |
|    | 13 (Stem 3)<br>W13 (Stem 3)<br>36 (Stem 2)<br>56 (Stem 1)<br>56MG (Stem 2)<br>56HN (Stem 3)<br>136 (Stem 2) | 1/2" dia. – 13 x 1" long     |
|    | 36 (Stem 3)<br>56 (Stem 3)<br>56MG (Stem 3)<br>56HN (Stem 3)<br>136 (Stem 3)<br>S36 (Stem 3)                | 1/2" dia. – 13 x 1-1/2" long |
|    | 36 (Stem 4)<br>56MG (Stem 4)<br>136 (Stem 4)  | 1/2" dia. – 20 x 3/4" long   |
|   | 36 (Stem 5)<br>56MG (Stem 5)<br>56HN (Stem 5)<br>136 (Stem 5)   | 1/2" dia. – 20 x 2-1/4" long |
|  | 36 (Stem 6)<br>56MG (Stem 6)<br>56HN (Stem 6)<br>136 (Stem 6)   | 5/8" dia. – 11 x 1-1/4" long |
|  | 36 (Stem 7)<br>56MG (Stem 7)<br>56HN (Stem 7)<br>136 (Stem 7)   | 5/8" dia. – 18 x 1-3/4" long |
|  | 36 (Stem 8)<br>56MG (Stem 8)<br>56HN (Stem 8)<br>136 (Stem 8)   | 3/4" dia. – 10 x 1" long     |
|  | 56 (Stem 3)   | 3/4" dia. – 10 x 1-3/4" long |


## Spring Ring Stems

| Drawing   | Caster Series   | Stem Size                   |
|---|---|-----------------------------|
|  | L3<br>Bus. Mach.<br>Dual / Single<br>Wheel<br>14 (Stem 1)<br>W14 (Stem 1)     | 7/16" dia. x 1-3/8" long    |
|  | Business<br>Machine Single<br>Wide Wheel                                      | 7/8" dia. x 2-3/16"         |
|  | 14 (Stem 2)<br>W14 (Stem 2)   | 7/16" dia. x 1-15/16" long  |
|  | 34 (Stem 1)<br>134 (Stem 1)   | 3/4" dia. x 2-3/16" long    |
|  | 34 (Stem 2)<br>134 (Stem 2)   | 13/16" dia. x 2-3/16" long  |
|  | 34 (Stem 3)<br>54MG (Stem 1)<br>54HN (Stem 1)<br>134 (Stem 3)                 | .845" dia. x 2-3/16" long   |
|  | 34 (Stem 4)<br>54MG (Stem 2)<br>54HN (Stem 2)<br>134 (Stem 4)<br>S34 (Stem 4) | .865" dia. x 2-3/16" long   |
|  | 34 (Stem 5)<br>134 (Stem 5)   | 1" dia. x 2-3/16" long      |
|  | 34<br>134 (Stem 6)<br>54 MG (Stem 3)<br>54 HN (Stem 3)                        | .860" Square x 2-3/16" long |




## Octagon Stem

|   |                 |                      |
|---|-----------------|----------------------|
|  | 19<br>W19<br>32 | 3/4" dia. by 2" long |
|---|-----------------|----------------------|





## Ladder Stem

|   |    |  |
|---|----|--|
|  | L5 | 5/16" dia. – 18 x 4-3/4" long with 5/8" thread length at top of stem; bottom stem flange is 9/16" dia. x 1-13/16" long |
|---|----|--|

## Pipe Thread Stem

|   |                            |  |
|---|----------------------------|--|
|  | 17 (Stem 2)<br>38 (Stem 2) | 3/4" Pipe Thread (1" actual stem dia.)   |
|  | 38 (Stem 3)                | 1" Pipe Thread (1-1/4" actual stem dia.) |
|  | 38 (Stem 4)                | 1-1/4" dia. (1-1/2" actual stem dia.)    |

## Round Stem

|   |               |  |
|---|---------------|--|
|  | L2            | For metal sockets<br>7/16" dia. x<br>1-29/32" long |
|  | 54MG (Stem 1) | .845" dia. round x 2-3/16"                         |
|  | 54MG (Stem 2) | .865" dia. round x 2-3/16"                         |
|  | 54 (Stem 3)   | 1" dia. round x 2-3/16"                            |